

Manual

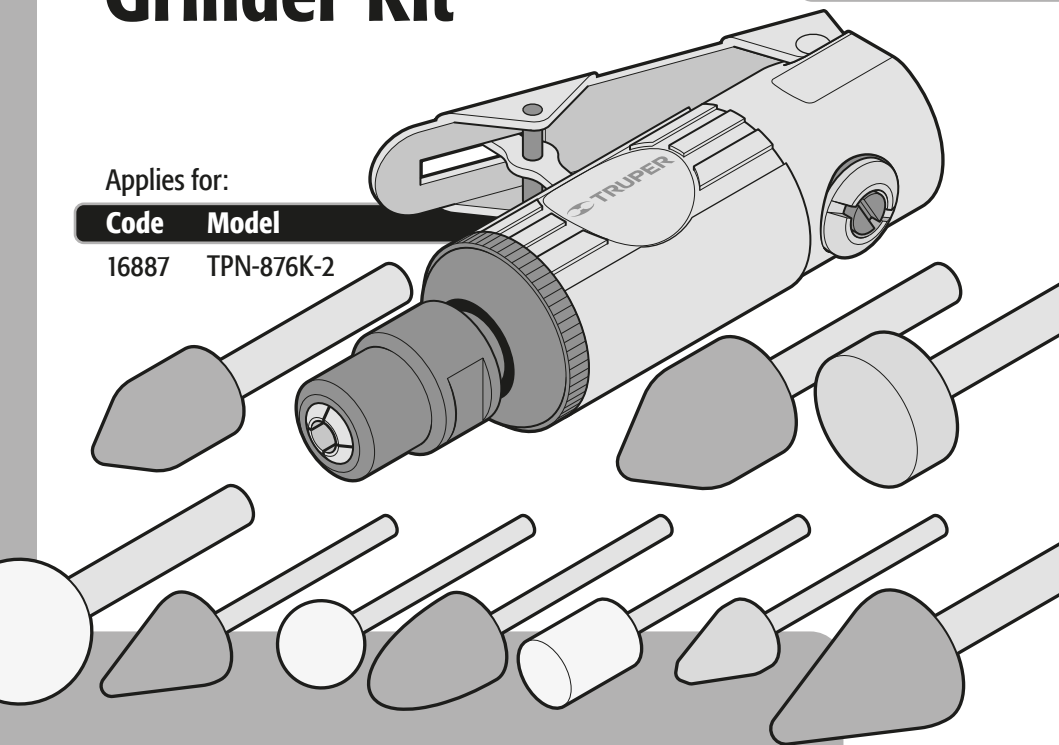
Mini Die Grinder Kit

1/4"
Chuck

Applies for:

Code	Model
------	-------

16887	TPN-876K-2
-------	------------



TPN-876K-2

! WARNING



Use oil continuously and dosed to lubricate the tool.

! CAUTION



Read this manual thoroughly before using the tool.



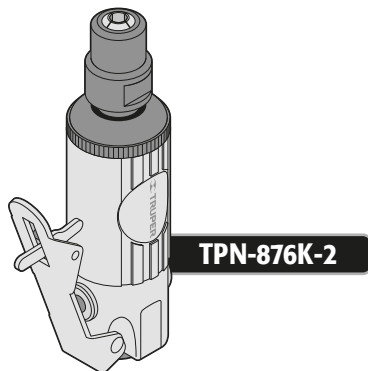
Technical data.....	3
Filtering and lubrication requirements	3
 General Safety Warnings for Pneumatic Tools.....	4
 Risk control when using pneumatic tools	5
Parts.....	7
Assembly.....	7
Start up.....	8
Maintenance.....	8
Authorized service centers	9
Warranty policy.....	10

 CAUTION

To gain the best performance of the tool, prolong the duty life, make the Warranty valid if necessary, and to avoid hazards of fatal injuries please read and understand this Manual before using the tool.

Keep this manual for future references.

The illustrations in this manual are for reference only. They might be different from the real tool.



Technical Data

TRUPER®

TPN-876K-2

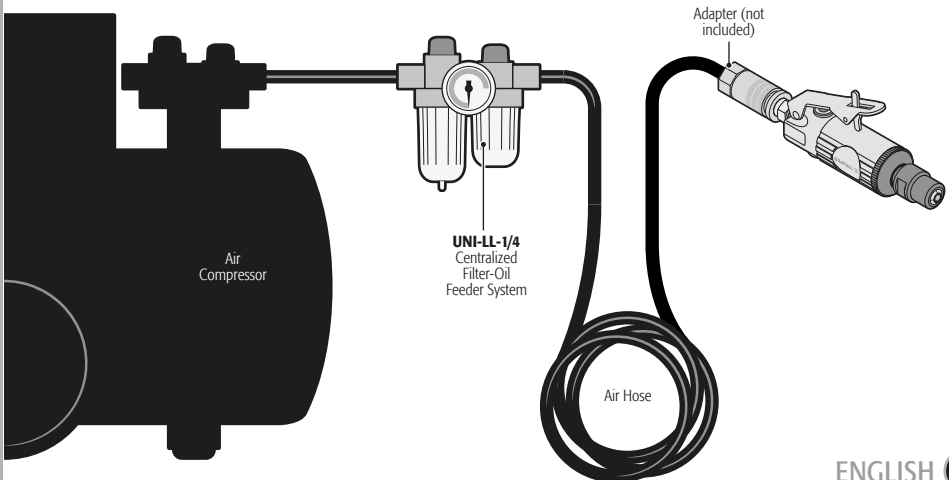
Code	•	16887
Description	•	Mini die grinder kit
Air Input	•	1/4 NPT
Chuck	•	1/4"
Vibration Level	•	< 2.5 m/s ²
Noise Level	•	92 dB
Free Speed	•	25 000 RPM
Weight	•	0.69 lb
Air Consumption	•	2.5 CFM
Hose Minimum Recommended Diameter	•	3/8"
Air Pressure	•	90 PSI

CAUTION Please consider the increase in pressure in the line or the hose inside diameter to compensate the use of too long hoses (more than 26 ft). The hose minimum inside diameter shall be 3/8" and the connectors shall be 1/4 NPT. Use the right size and good quality couplers and accessories.

Filtering and Lubrication Requirements

CAUTION Dust, water and lack of oil specific for pneumatic tools are the main cause of potential flaws with the tool. We recommend installing a **TRUPER** Brand **UNI-LL-1/4** centralized filter-oil feeder system. This system assures lubrication reducing 80% oil consumption significantly increasing the breathing air quality for the operator.

- The filter-oil feeder system must be regulated to administer 3 to 6 drops per minute.
 - Drain the water in the air compressor tank and also condensation in the hoses before using the tool.
- Consult the air compressor instructions.



Keep your work area clean, tidy and well lit.

CAUTION Cluttered and dark areas may cause accidents.



Never use the tool in explosive areas or in the presence of flammable liquids or with no ventilation.

DANGER Sparks the tool generates could trigger an explosion or start a fire.



Keep children and passersby at a safe distance while operating the tool.

WARNING Distractions can cause losing control and cause accidents.



Avoid making contact with power lines and circuits.

DANGER Find and avoid power lines and circuits, especially hidden wiring as well as any grounded object.



Stay alert, use care and common sense.

CAUTION Familiarity with the tool operation could lead to distractions while using it. It could cause accidents.



Refrain from using the tool if tired or under the influence of drugs, alcohol or medication.

DANGER Being momentarily distracted while using the tool could cause severe personal injury.



Operate the tool with guards and protection devices in place and in good working condition.

WARNING Failure to comply with this warning is a hazard of severe personal injury.



Securely fasten and support the work piece.

CAUTION Use brackets and a stable work surface.

Never force the tool.

CAUTION Working within the tool's working design assures a better and safer job.



Keep the tool in a safe place and out of the reach of children.

WARNING Power tools are dangerous to inexperienced people.



Wear proper clothes.

WARNING Loose clothes, jewelry or long hair could get caught in the mobile parts.



Keep hands away from rotating and/or mobile parts.

WARNING Failure to comply with this warning is a hazard of severe personal injuries or crushing.



Wear adequate protective safety accessories.

CAUTION Wear eye protection, dust mask, non-skid safety shoes, helmet and ear plugs. In normal conditions, the risk of injury is reduced.



Unplug the air hose from the tool before carrying out maintenance or replacing accessories.

WARNING Prevent accidental startups that cause accidents.



Refrain from operating the tool if the switch is not working or is not properly assembled.

WARNING Failure to comply with this warning is a hazard of personal injury. Immediately send it to a TRUPER Authorized Service Center.



Do not overreach.

CAUTION Good balance and support lead to better controlling the tool in unexpected situations.



Never pull the air hose.

WARNING Do not use it to carry or unplug the tool from the air outlet. Damaged or tangled hoses may burst and project residues towards the operator.



Prevent unintentionally starting the tool.

WARNING Double-check the motor is OFF before lubricating, setting up accessories or carry out maintenance.



Remove brackets before turning on the tool.

DANGER Additional tools or vices installed in a rotating part could cause severe personal injury.



Double-check maintenance and good working conditions before using the tool.

CAUTION Carefully check mobile parts, alignment and assembly. Do it periodically. Look for any damaged element or parts not working properly. Repair immediately in a TRUPER Authorized Service Center.



Accessories.

CAUTION Use only accessories or spare parts indicated in this Manual or certified by TRUPER.



Never leave a running tool unattended.

CAUTION Turn off and disconnect tool after using. Set it in a safe position to avoid severe injury.


Risk Control When Using Pneumatic Tools

Risk of injury in head and eyes

⚠ WARNING • Compressed air out of pneumatic equipment may be dangerous. Objects like brackets, burrs, splinters, dust and other residues may be impelled towards head and eyes due to high speed of the air flow. The air flow itself can only injure soft tissue such as eyes, ears, etc.

⚠ CAUTION • The tool attachments may get lose or break and project particles towards the operator or other operators in the work area.

To prevent head and eyes injuries

- Always, when operating pneumatic equipment wear protection glasses in compliance with the ANSI Z87.1 Standard. As additional protection, wear a mask. 
- Never aim the air flow towards people or animals.
- Disconnect the air hose from the tool when not in use.
- Never set a tool unattended when connected to the air outlet.
- Before using the tool verify all the parts and accessories are perfectly secured.

Risk of explosion

⚠ WARNING • Incorrect handling of pressure in pneumatic equipment may cause an explosion causing severe injuries.


To prevent explosions

- Before using the tool double check the compressed air source is regulated to the tool specified pressure and must not exceed 1 380 kPa (200 PSI).

Risk of hearing loss

⚠ WARNING • Being exposed long periods of time to noise pneumatic tools produce may damage hearing permanently causing hearing loss.

To prevent hearing loss


- Always, when operating pneumatic equipment wear hearing protection in compliance with the ANSI S3.19 Standard 

Risk of inhaling particles

⚠ WARNING • Abrasive tools like grinders, sanders and cutting tools generate dust and particles that damage the lungs and respiratory system.

- Some materials like resin or adhesive are made with chemicals and the vapors emitted may cause serious damage if the operator is exposed for long periods of time.

To prevent inhaling particles

- Always wear a face mask or breathing device when operating these types of tools. 
- Always work in a clean, well ventilated area.

Risk of electric shock

⚠ WARNING • Pneumatic tools do not have electric insulation. If during the operation, the tool makes contact with a source of electricity, the energy will be conducted to the operator causing a fatal electrocution.

To prevent electric shock

- Never use pneumatic tools to work energized electric wiring.
- Before operating the tool find the possible hidden wiring in the work zone to prevent making contact.
- Avoid contact with grounded surfaces like pipes, radiators or refrigerators. The risk of electrocution increases if the operator's body gets grounded.

Risk of damaging the tool

⚠ WARNING • Pneumatic tools forced beyond the capacity and lacking of adequate lubrication or used to loosen rusted nuts (with impact guns) will get damaged and make the Warranty void.

To prevent damaging the tool

- Keep the tool duly lubricated.
- Do not force the tool.
- Apply "loose it all" liquid to rusted nuts or lugs before trying to loosen with the tool (impact gun).

Risk of injuries



⚠ WARNING • Damaged hoses may burst and cause serious injuries or deafness.

• Pneumatic tools connected to the compressed air source, if operated by untrained staff or underage people, will cause severe injuries.

• The compressed air used in pneumatic equipment may be dangerous. Objects like vices, burrs, splinters, dust and other residues may be impelled by the high-speed air flow towards the operator or other people in the work area.


• Using inflation nozzles to clean or torch blowing may cause severe injuries.

• Tools and accessories not suitable, damaged or low quality like grinding discs, chisels, contacts, drills, brad nailer, staplers, etc., may shoot out during the operation and project particles causing severe injuries.

• Brackets may get lose and be projected causing severe injuries or damage to property.

• Tools that accidentally start may cause severe injuries.

• Tools and accessories with no maintenance may cause severe injuries.

• Tools using accessories without  **TRUPER®** certification may cause severe injuries.

• Damaged or banded tools may cause severe injuries.

To prevent injuries

- Do not abuse the hose or the connectors.
- Keep the hose away from sharp or abrasive edges.
- Unplug the hose when setting up accessories like grinding discs or bits.
- Never use the hose to carry the tool.
- Never pull the hose to unplug it.
- Do not expose the hose to heat, oil or solvents.
- Before operating the tool, verify the hoses are not damaged.

• Unplug the air hose when the tool is not in use. Store the tool in a safe place away from children or untrained people. Keep children and untrained people away from the work area.

• Keep the work area clean, tidy and with good lighting.

• Remove any wrench or plier from the tool before operating.

• Do not use inflation nozzles to clean or to torch blowing.


• Use only parts, vices and accessories recommended by  **TRUPER®**.

• Double check all connections are correctly installed.

- Never carry the tool by the trigger.
- Disconnect the air hose out from the tool when not in use.
- Never leave the tool unattended when connected to the air outlet.

• Keep the tool handle clean and dry, free of oil or grease.

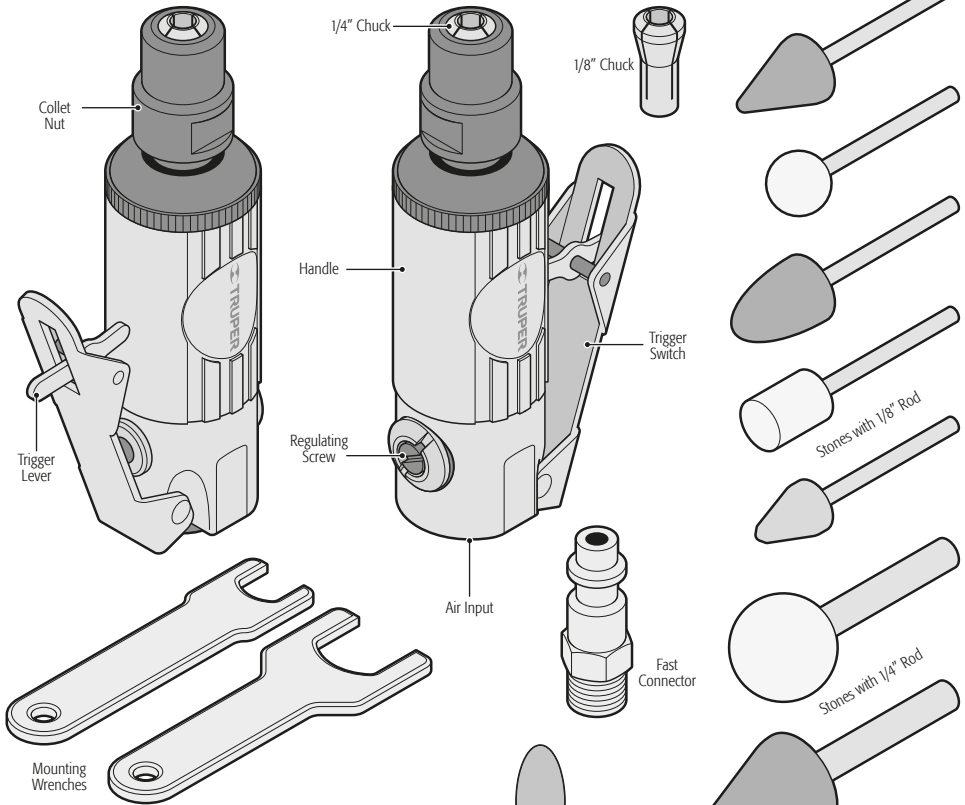
• Keep tools clean. A meticulously cleaned and oiled tool delivers a more effective performance and is easier to control.

• Any type of repair can only be carried out in a  **TRUPER®** Authorized Service Center.

• Use always accessories matching the tool speed.

• Use only  **TRUPER®** certified accessories.

• Do not use damaged or banded tools.



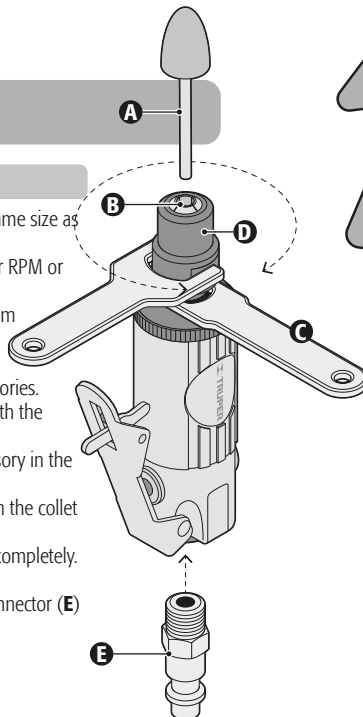
Assembly

Accessory Installation

- Double check the accessory rod (A) is the same size as the installed chuck diameter (B).
- Use only accessories specified for the grinder RPM or bigger.

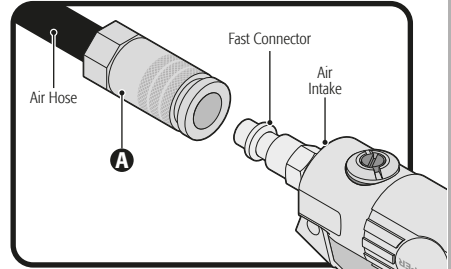
⚠ WARNING • Disconnect the grinder from the air supply before setting or removing accessories.

- Use the wrenches included to change accessories.
- Hold the spindle with the wrench (C) and with the second wrench loosen the collet nut (D).
- Insert the rod up to the bottom of the accessory in the chuck.
- Hold the spindle with the wrench and tighten the collet nut until the accessory is perfectly secured.
- To change the chuck, remove the collet nut completely. Replace the chuck and set the collet nut back.
- Remove the air input cap and set the fast connector (E) in place. Tighten using one of the wrenches.



Air intake connection

- Connect the air hose to the tool using a female fast connector (A). When working with different pneumatic tools and a single compressor, you can quickly connect and disconnect tools exchange them easily.
- Before starting to work, run the tool 30 seconds unloaded and in a safe position. Stop immediately if detecting any defect in installation.



Turning On

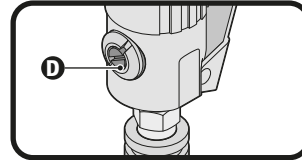
- Turn on the air compressor and let it fill up.
- Regulate the air compressor output pressure from 621 kPa to 793 kPa (90 PSI to 115 PSI).

⚠ WARNING Operating the tool above this pressure range will result in a shorter tool life.

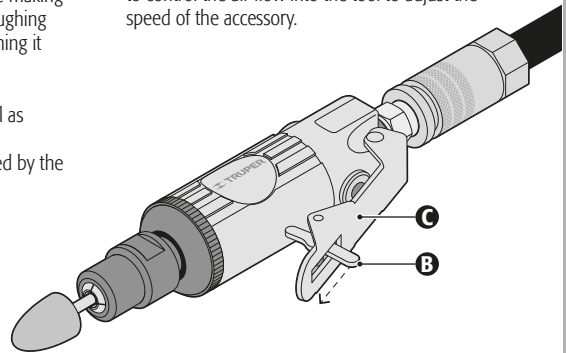
- Check the work piece is sagely fastened.
- Push the trigger lock (B) forward and press the trigger (C). Wait for the tool to reach its maximum speed before making contact with the workpiece. When you are done roughing up, remove the tool from the work piece before turning it OFF.

• Do not apply excessive force upon the tool. This decreases the speed and efficiency of the cut as well as discharging the tool by decreasing its life time.

⚠ CAUTION • Double check the sparks produced by the cuts will not turn into a dangerous situation.



- Using a screwdriver, turn the regulating screw (D) to control the air flow into the tool to adjust the speed of the accessory.



Maintenance

Lubrication

• Pneumatic tools need constant lubrication along their useful life and during the operation. The compressed air needed in the tool to run carry humidity which could oxidize the motor and bearing in the tool. To prevent this possibility, it is necessary to constantly deliver lubricating oil through a TRUPER® Brand UNI-LL-1/4 centralized filter-oiler system installed between the air compressor and the tool.

⚠ WARNING • Any excess of oil in the motor is immediately expelled through the exceeding oil escape. Keep the escape free of obstructions and never point it towards people or objects.

- If not using the tool for long periods of time, it shall need to be lubricated with care.
- After 60 hours' operation, the tool mechanism need a little greasing. Excessive grease may diminish power.

Service


• Servicing the tool shall be carried out every 3 months only in a TRUPER® Authorized Service Center. Service and maintenance carried out by not certified people may be dangerous and can cause severe personal injuries as well as making the product Warranty void.

• Malfunction in the tool caused by no using the recommended dose of lubrication, or not complying with this Instructions, or repairs carried out by people not certified by TRUPER® will not be covered with the Warranty. We reserve the right to carry out technical improvements without notice.

In the event of any problem contacting a Truper Authorized Service Center, please see our webpage www.truper.com to get an updated list, or call our toll-free numbers **800 690-6990** or **800 0187-8737** to get information about the nearest Service Center.

AGUASCALIENTES	DE TODO PARA LA CONSTRUCCIÓN GRAL. BARRAGÁN #1201, COL. GREMIAL, C.P. 20030, AGUASCALIENTES, AGS. TEL.: 449 994 0537	MORELOS	FIX FERRETERÍAS CAPITÁN ANZURES #95, ESQ. JOSÉ PERDIZ, COL. CENTRO, C.P. 62740, CUAUTLA, MOR. TEL.: 735 352 8951
BAJA CALIFORNIA	SUCURSAL TIJUANA AV. LA ENCANTADA, LOTE #5, PARQUE INDUSTRIAL EL FLORIDO II, C.P. 22244, TIJUANA, B.C. TEL.: 664 969 5100	NAYARIT	HERRAMIENTAS DE TEPIC MAZATLAN #117, COL. CENTRO, C.P. 63000, TEPIC, NAY. TEL.: 311 258 0540
BAJA CALIFORNIA SUR	FIX FERRETERÍAS FELIPE ÁNGELES ESQ. RUIZ CORTÍNEZ S/N, COL. PUEBLO NUEVO, C.P. 23670, CD. CONSTITUCIÓN, B.C.S. TEL.: 615 132 1115	NUEVO LEÓN	SUCURSAL MONTERREY CARRETERA LAREDO #300, 1B MONTERREY PARKS, COLONIA PUERTA DE ANAHUAC, C.P. 66052, ESCOBEDO, NUEVO LEÓN, TEL.: 81 8552 8791 / 81 8352 8790
CAMPECHE	TORNILLERÍA Y FERRETERÍA AAA AV. ÁLVARO OBREGÓN #324, COL. ESPERANZA C.P. 24080 CAMPECHE, CAMP. TEL.: 981 815 2808	OAXACA	FIX FERRETERÍAS AV. 20 DE NOVIEMBRE #910, COL. CENTRO, C.P. 68300, TUXTEPEC, OAX. TEL.: 287 106 3092
CHIAPAS	FIX FERRETERÍAS AV. CENTRAL SUR #27, COL. CENTRO, C.P. 30700, TAPACHULA, CHIS. TEL.: 962 118 4083	PUEBLA	SUCURSAL PUEBLA AV. PERIFÉRICO #2-A, SAN LORENZO ALMECATLA, C.P. 72710, CUAUTLACINGO, PUE. TEL.: 222 282 8282 / 84 / 85 / 86
CHIHUAHUA	SUCURSAL CHIHUAHUA AV. SILVESTRE TERRAZAS #128-11, PARQUE INDUSTRIAL BAFAR, CARRETERA MÉXICO CUAUHTÉMOC, C.P. 31415, CHIHUAHUA, CHIH. TEL. 614 434 0052	QUERÉTARO	ARU HERRAMIENTAS S.A. DE C.V. AV. PUERTO DE VERACRUZ #110, COL. RANCHO DE ENMEDIO, C.P. 76842, SAN JUAN DEL RÍO, QRO. TEL.: 427 268 4544
MEXICO CITY	FIX FERRETERÍAS EL MONSTRUO DE CORREGIDORA, CORREGIDORA # 22, COL. CENTRO, C.P. 06060, CUAUHTÉMOC, CDMX. TEL.: 55 5522 5051 / 5522 4861	QUINTANA ROO	FIX FERRETERÍAS CARRETERA FEDERAL MZ. 46 LT. 3 LOCAL 2, COL. EJIDAL, C.P. 77710 PLAYA DEL CARMEN, Q.R. TEL.: 984 267 3140
COAHUILA	SUCURSAL TORREÓN SUCAL METAL MECÁNICA #280, PARQUE INDUSTRIAL ORIENTE, C.P. 27278, TORREÓN, COAH. TEL.: 871 209 68 23	SAN LUIS POTOSÍ	FIX FERRETERÍAS AV. UNIVERSIDAD #1850, COL. EL PASEO, C.P. 78320, SAN LUIS POTOSÍ, S.L.P. TEL.: 444 822 4341
COLIMA	BOMBAS Y MOTORES BYMETESA DE MANZANILLO BLVD. MIGUEL DE LA MADRID #190, COL. 16 DE SEPTIEMBRE, C.P. 28239, MANZANILLO, COL. TEL.: 314 332 1986 / 332 8013	SINALOA	SUCURSAL CULIACÁN AV. JESÚS KUIMATE SUR #4301, COL. HACIENDA DE LA MORA, C.P. 80143, CULIACÁN, SIN. TEL.: 667 173 9139 / 173 8400
DURANGO	TORNILLOS ÁGUILA, S.A. DE C.V. MAZURIO #200, COL. LUIS ECHEVERRÍA, DURANGO, DGO. TEL.: 618 817 1946 / 618 818 2844	SONORA	FIX FERRETERÍAS CALLE 5 DE FEBRERO #517, SUR LT. 25 MZ. 10, COL. CENTRO, C.P. 85000, CD. OBREGÓN, SON. TEL.: 644 413 2392
ESTADO DE MÉXICO	SUCURSAL CENTRO JILOTEPEC AV. PARQUE INDUSTRIAL #1-A, C.P. 54240, JILOTEPEC, EDO. DE MÉX. TEL.: 761 782 9101 EXT. 5728 Y 5102	TABASCO	SUCURSAL VILLAHERMOSA CALLE HELIO LOTES 1, 2 Y 3 MZ. #1, COL. INDUSTRIAL, 2A ETAPA, C.P. 86010, VILLAHERMOSA, TAB. TEL.: 993 353 7244
GUANAJUATO	CÍA. FERRETERA NUEVO MUNDO S.A. DE C.V. AV. MÉXICO - JAPÓN #225, CD. INDUSTRIAL, C.P. 38010, CELAYA, GTO. TEL.: 461 617 7578 / 79 / 80 / 88	TAMAULIPAS	VM ORINGS Y REFACCIONES CALLE ROSITA #527 ENTRE 20 DE NOVIEMBRE Y GRAL. RODRÍGUEZ, FRACC. REYNOSA, C.P. 88780, REYNOSA, TAMS. TEL.: 899 926 7552
GUERRERO	CENTRO DE SERVICIO ECLIPSE CALLE PRINCIPAL MZ.1 LT. 1, COL. SANTA FE, C.P. 39010, CHILPANCIINGO, GRO. TEL.: 747 478 5793	TLAXCALA	SERVICIOS Y HERRAMIENTAS INDUSTRIALES PABLO SIDAR #132, COL. BARRIO DE SAN BARTOLOMÉ, C.P. 90970, SAN PABLO DEL MONTE, TLAX. TEL.: 222 271 7502
HIDALGO	FERREPRECIOS S.A. DE C.V. LIBERTAD ORIENTE #304 LOCAL 30, INTERIOR DE PASAJE ROBLED0, COL. CENTRO, C.P. 43600, TULANCINGO, HGO. TEL.: 775 753 6615 / 775 753 6616	VERACRUZ	LA CASA DISTRIBUIDORA TRUPER BLVD. PRIMAVERA ESQ. HORTENSIA S/N, COL. PRIMAVERA, C.P. 93308, POZA RICA, VER. TEL.: 782 823 8100 / 826 8484
JALISCO	SUCURSAL GUADALAJARA AV. ADOLFO B. HORN # 6800, COL. SANTA CRUZ DEL VALLE, C.P.: 45655, TLAJOMULCO DE ZUÑIGA, JAL. TEL.: 33 3606 5285 AL 90	YUCATÁN	SUCURSAL MÉRIDA CALLE 33 #600 Y 602, LOCALIDAD ITZINCAB Y MULSAV, MPIO. UMANÁ, C.P. 97390, MÉRIDA, YUC. TEL.: 999 912 2451
MICHOACÁN	FIX FERRETERÍAS AV. PASEO DE LA REPÚBLICA #3140-A, COL. EX-HACIENDA DE LA HUERTA, C.P. 58050, MORELIA, MICH. TEL.: 443 334 6858		

Code	Model	Brand
16887	TPN-876K-2	 TRUPER®

This product is guaranteed for 2 years. To make the warranty valid or purchase parts and components you must present the product in Corregidora 22, Col. Centro, Alc. Cuauhtémoc, CDMX C.P. 06060 or at the establishment where you purchased it, or at any Truper® Service Center listed in the annex to the warranty policy and/or in www.truper.com. Transportation costs resulting from compliance of this warranty will be covered by  **TRUPER®**


For questions or comments, call **800-690-6990**. Made in China. Imported by Truper S.A. de C.V. Parque Industrial 1, Jilotepec, Edo. de Méx. C.P. 54240


Stamp of the business. Date of purchase:



Póliza de Garantía



Código	16887
Modelo	TPN-876K-2
Marca	 TRUPER

Este producto está garantizado por 2 años. Para hacer válida la garantía o adquirir piezas y componentes deberá presentar el producto en Corregidora 22, Col. Centro, Alc. Cuauhtémoc, CDMX C.P. 06060 o en el establecimiento donde lo compró, o en algún Centro de Servicio Truper® de los enlistados en el anexo de la póliza de garantía y/o en www.truper.com. Los gastos de transportación que resulten para su cumplimiento serán cubiertos por  **TRUPER**.

Para dudas o comentarios, llame al 800-690-6990. Hecho en China. Importado por Truper S.A. de C.V. Parque Industrial 1, Jilotepec, Edo. de Méx. C.P. 54240

Sello del establecimiento comercial. Fecha de compra:

2
AÑOS



En caso de tener algún problema para contactar un Centro de Servicio Autorizado Truper® consulte nuestra página www.truper.com donde obtendrá un listado actualizado, o llame al: 800 690-6990 ó 800 0187-8737 donde le informarán cuál es el Centro de Servicio más cercano.

AGUASCALIENTES

DE TODO PARA LA CONSTRUCCIÓN

GRAL. BARRAGÁN #1201, COL. CREMAVAL, C.P. 20050.

BAJA CALIFORNIA



FLORIBO II, C.P. 22244, TIJUANÁ, B.C.
AV. LA ENCANTADA, LOTE #5, PARQUE INDUSTRIAL EL

BAJA CALIFORNIA SUR

FELIPE ÁNGELÉS ESQ. BUZ CORTIÑEZ S/N, COL. PUEBLO NUEVO, C.P. 23670, CD. CONSTITUCIÓN, B.C.S.

CHIAPAS

FIX FERRETERÍAS
AV. CENTRAL SUR #27, COL. CENTRO, C.P. 50700,

CIUDAD DE MÉXICO

FIX FERRETERÍAS
AV. ALVARO OBREGÓN #324, COL. ESPERANZA C.P. 24080 CAMPECHE, CAMP. TEL.: 981 515 2808

COAHUILA

SUCURSAL TÓRREÓN
CAJAL MATEL MECÁNICA #280, PARQUE INDUSTRIAL ORIENTE, C.P. 27278 TÓRREÓN, COAH.

COLIMA

BOMBA Y MOTORES BYMSTA DE MANZANILLO
AV. MIGUEL DE LA MADRID #190, COL. 16 DE SEPTIEMBRE, C.P. 28239 MANZANILLO, COL.

DURANGO

TORNILLOS ÁGUILA, S.A. DE C.V.
DAGO, COL. TEL.: 618 817 1946 / 618 818 2844

ESTADO DE MÉXICO

SUCURSAL CENTRO HILOTPEC
AV. PARQUE INDUSTRIAL #1-A, C.P. 54240, HILOTPEC, EDU. DE MÉX. TEL.: 781 769 9101 EXT. 5728 Y 5102

GUERRERO

CENTRO DE SERVICIO ECUPISE
CAJAL PRINCIPAL MZ1 LT. 1, COL. SANTA FE, C.P. 39010, CHILPANCIANGO, GRO. TEL.: 747 478 5793

HIDALGO

FERREPERIOS S.A. DE C.V.
ROBERTO, COL. CENTRO, C.P. 43600, TULANGINCO, HGO. TEL.: 775 753 6615 / 775 753 6616

JALISCO

SUCURSAL GUADALAJARA
AV. ADOLFO B. HORN #6800, COL. SANTA CRUZ DEL VALLE, C.P. 45655 TLIJOMULCO DE ZUNIGA, JAL.

MICHOCÁN

FIX FERRETERÍAS
AV. PASEO DE LA REPÚBLICA #314-A, COL. EX-HACIENDA DE LA HUERTA, C.P. 38050, MORELIA, MICH. TEL.: 445 334 6858

MORELOS

FIX FERRETERÍAS

CAPTAN ANZURES #95, ESQ. JOSÉ PERDIZ, COL. CENTRO, C.P. 62740, CUAUTLA, MOR.

NAVARIT

HERRAMIENTAS DE TEPIC

MAZATLÁN #117, COL. CENTRO, C.P. 63000, TEPIC, NAY.

NUEVO LEÓN

SUCURSAL MONTERREY

CARRETERA LÁZARO #300, 1B MONTERREY PARKS, COLONIA PUERTA DE ANAHUAC, C.P. 66052, ESCOBEDO, NUEVO LEÓN, TEL.: 81 8352 8791 / 81 8352 8790

OAXACA

FIX FERRETERÍAS

AV. 20 DE NOVIEMBRE #910, COL. CENTRO, C.P. 68500, TUXTEPEC, OAX. TEL.: 287 106 3092

PUEBLA

SUCURSAL PUEBLA

AV. PERRERICO #2-A, SAN LORENZO ALMECATLA, C.P. 72710, CUAUTLACINCO, PUE.

QUERÉTARO

ARU HERRAMIENTAS S.A. DE C.V.

AV. PUERTO DE VERACRUZ #110, COL. RANCHO DE ENMEDIO, C.P. 76842, SAN JUAN DEL RÍO, QRO.

QUINTANA ROO

FIX FERRETERÍAS

CARRETERA FEDERAL MZ. 46 LT. 3 LOCAL 2, COL. EJIDAL, C.P. 77170 PLAMA DEL CARMEN, Q.R.

SAN LUIS POTOSÍ

FIX FERRETERÍAS

AV. UNIVERSIDAD #1850, COL. EL PASEO, C.P. 78320, SAN LUIS POTOSÍ, S.L.P. TEL.: 444 822 4341

SINALOA

SUCURSAL CUICATLÁN

AV. JESÚS KUMATE SUR #4301, COL. HACIENDA DE LA MORA, C.P. 80143 CUICATLÁN, SIN.

SONORA

FIX FERRETERÍAS

CAJAL 5 DE FEBRERO #517, SUR LT. 25 MZ. 10, COL. CALTE HUILLO LOTES 1, 2 Y 3 MZ. #1, COL. INDUSTRIAL, ZA TLAPA, C.P. 86010, VILLAHERMOSA, TAB.

TABASCO

SUCURSAL VILLAHERMOSA

CAJAL ROSITA #227 ENTRE 20 DE NOVIEMBRE Y GRAL. RODRÍGUEZ, FRACC. REYNOSA, C.P. 88780, REYNOSA, TAM.S. TEL.: 899 926 7525

TAMAUPIPAS

VM ORÍGENS Y REACCIONES

CAJAL ROSITA #227 ENTRE 20 DE NOVIEMBRE Y GRAL. RODRÍGUEZ, FRACC. REYNOSA, C.P. 88780, REYNOSA, TAM.S. TEL.: 899 926 7525

TLAXCALA

SERVICIOS Y HERRAMIENTAS INDUSTRIALES

PARVULO SIDAER #132, COL. BARRIO DE SAN BARTOLOMÉ, TAMP. TEL.: 222 271 7502

VERACRUZ

LA CASA DISTRIBUIDORA TRUPER

BLVD. PRIMAVERA ESQ. HORTENCIA VÁS. VER. TEL.: 782 823 8100 / 826 8484

YUCATÁN

SUCURSAL MÉRIDA

CAJAL 53 #600 Y 602, LOCALIDAD ITZINCAB Y MUSAY, MPYO. UMMÁN, C.P. 97390, MÉRIDA, YUC.

Conexión de la toma de aire

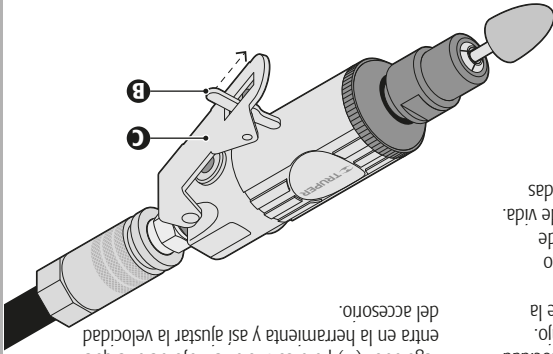
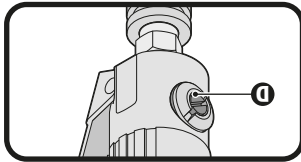
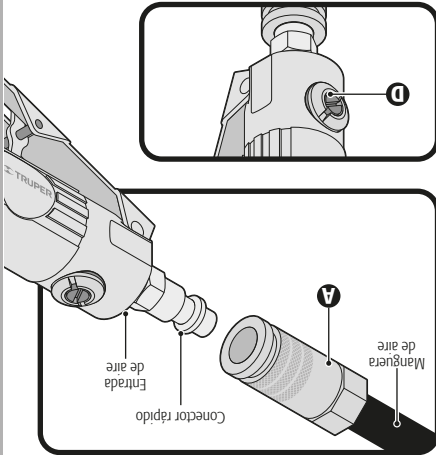
- Conecte la manguera de aire a la herramienta mediante un conector rápido hembra (A). En caso de trabajar con distintas herramientas neumáticas y un sólo compresor, puede conectar y desconectar rápidamente las herramientas e intercambiarlas fácilmente.
- Antes de iniciar el trabajo haga funcionar la herramienta sin carga por 30 segundos en una posición segura. Pare de inmediato si detecta algún defecto en la instalación.

Encendido

- Encienda el compresor de aire y permita que se llene. Regule la presión de salida del compresor de aire de 621 kPa a 793 kPa (90 PSI a 115 PSI).
- **ADVERTENCIA** Operar la herramienta por arriba de este rango de presión disminuirá su vida útil.

- Revise que la pieza de trabajo esté debidamente sujeta.
- Empuje hacia adelante el seguro del gatillo (B) y apriete el gatillo (C), espere a que la herramienta alcance su velocidad máxima antes de hacer contacto con la pieza de trabajo.
- Cuando termine de desbastar, retire la herramienta de la pieza antes de apagarla.
- No ejerza presión excesiva sobre la herramienta. Esto disminuirá la velocidad y eficiencia del corte además de sobrecargar la herramienta disminuyendo el tiempo de vida.
- **ATENCIÓN** • Confirme que las chispas producidas por los cortes no se conviertan en un peligro.

Puesta en marcha



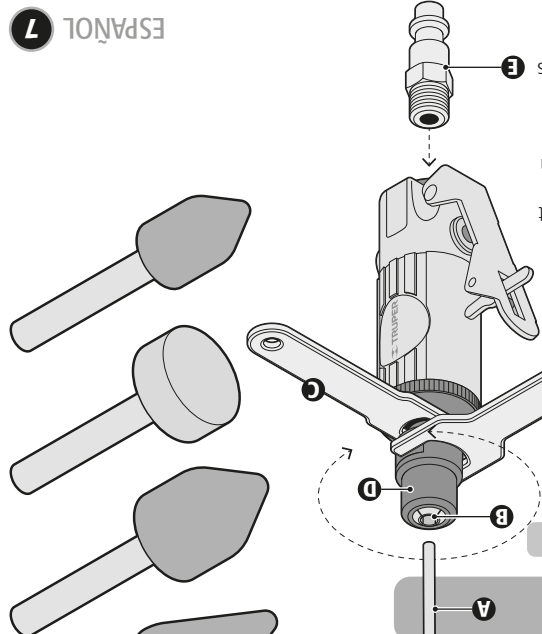
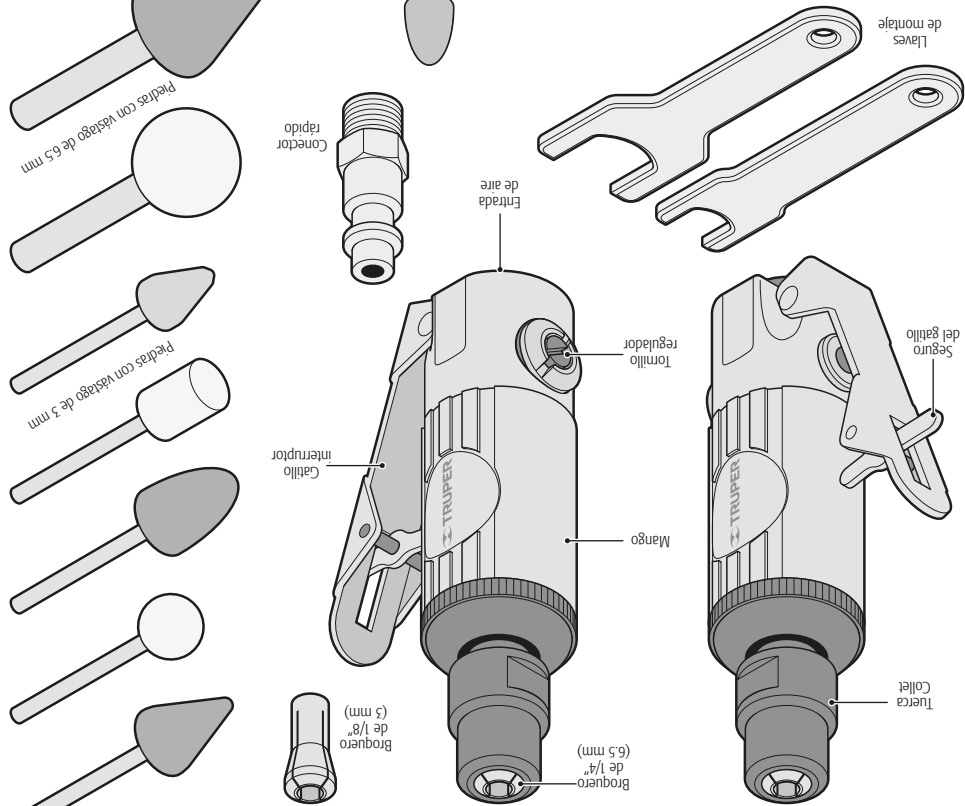
Mantenimiento

Lubricación

- Las herramientas neumáticas requieren lubricación constante a lo largo de su vida útil y durante su operación. El aire comprimido que necesita la herramienta para funcionar contiene humedad que puede oxidar el motor y los baleros de la herramienta.
- Para evitar esta posibilidad es necesario administrar constantemente aceite lubricante por medio del sistema de filtro-aceitera centralizado **UNI-ILL-1/4** marca **TRUPER**, instalada entre el compresor de aire y la herramienta.
- **ADVERTENCIA** • Cualquier exceso de aceite en el motor se expulsado de inmediato por el escape de aceite excesente. Mantenga libre de cualquier obstrucción y nunca lo apunte hacia personas u objetos.
- Si no va a utilizar la herramienta por un periodo largo, deberá lubricarse con mucho cuidado.

Servicio

- El servicio de las herramientas debe ser realizado cada 3 meses únicamente en un Centro de Servicio Autorizado **TRUPER**. El servicio y mantenimiento realizado por personas no calificadas puede resultar peligrosos y llegar a ocasionar daños personales además de invalidar la garantía del producto.
 - Las fallas en la herramienta causadas por la falta de lubricación dosificada recomendada, por el incumplimiento de este instructivo o por reparaciones realizadas por personal no certificado por **TRUPER**, no serán cubiertas por la garantía. Nos reservamos el derecho a realizar mejoras técnicas sin previo aviso.
- Después de cada 60 horas de operación el mecanismo de la herramienta se deberá engrasar un poco. El exceso de grasa puede disminuir la potencia.



Montaje

Instalación de accesorios

- Confirme que el vástago (A) del accesorio sea del diámetro del broquero (B) instalado.
- Utilice únicamente accesorios especificados para las r/min del esmeril o mayores.
- **¡ADVERTENCIA!** Desconecte el esmeril del suministro de aire antes de colocar o retirar los accesorios.
- Utilice las llaves incluidas para cambiar los accesorios.
- Sostenga el husillo con la llave (C) y afloje la tuerca collet (D) con la otra llave.
- Inserte hasta el fondo el vástago del accesorio en el broquero.
- Sostenga el husillo con la llave y apriete la tuerca collet hasta que el accesorio esté bien asegurado.
- Para cambiar el broquero retire por completo la tuerca collet, reemplácelo el broquero y coloque de nuevo la tuerca collet.
- Retire el tapón de la entrada de aire y coloque el conector rápido (E) en su lugar. Apriételo con una de las llaves.

Control de riesgos al usar herramientas neumáticas

Para prevenir lesiones

⚠️ ADVERTENCIA • Las mangueras dañadas pueden estallar y provocar lesiones serias o sordera.

- No maltrate la manguera ni los conectores.
- Mantenga la manguera alejada se superficies afiladas o abrasivas.
- Desconecte la manguera cuando instale accesorios como discos de esmeril o brocas.
- Nunca use la manguera para cargar la herramienta.
- Nunca jale de la manguera para desconectarla.
- No exponga la manguera al calor, aceite o solventes.
- Antes de operar la herramienta, verifique que las mangueras no estén dañadas.

Las herramientas neumáticas conectadas a la fuente de aire comprimido pueden ser operadas por personal no capacitado o menores de edad, derivando en lesiones serias.

- Desconecte la manguera de aire cuando la herramienta no esté en uso y almacene la herramienta en un lugar seguro fuera del alcance de niños o personal no calificado. Mantenga a los niños y al personal no calificado lejos del área de trabajo.

El aire comprimido que utilizan los equipos neumáticos puede resultar peligroso. Objetos como abrazaderas, rebabas, astillas, polvo y otros residuos pueden ser impulsados por el flujo de aire a gran velocidad al operador u otras personas en el área de trabajo.

- Mantenga el área de trabajo limpia, ordenada y bien iluminada.
- Retire cualquier llave o pinza de la herramienta antes de operarla.

Usar boquillas de inflado para limpiar o soplear puede producir lesiones serias.

- No use boquillas de inflado para limpiar o soplear.

Herramientas o accesorios no adecuados, dañados o de baja calidad como discos de esmeril, cintas, contactos, taladros, clavadoras, engrapadoras, etc., pueden dispararse durante la operación, proyectando partículas que pueden causar serias lesiones.

- Utilice sólo partes, abrazaderas, y accesorios recomendados por **TRUPER**.

Las abrazaderas pueden soltarse y ser proyectadas causando lesiones serias o daños a propiedad.

Las herramientas que arrancan accidentalmente pueden provocar lesiones serias.

- Asegúrese que todas las conexiones se encuentran correctamente instaladas.

- Nunca cargue la herramienta tomándola por el gatillo.
- Desconecte la manguera de aire de la herramienta cuando no la esté utilizando.
- Jamás deje la herramienta conectada a la toma de aire sin atenderla.

Las herramientas y accesorios que no reciben el mantenimiento adecuado pueden provocar lesiones serias.

- Mantenga el mango de la herramienta limpio y seco, libbre de aceite y grasa.
- Mantenga las herramientas limpias. Una herramienta bien cuidada y lubricada brinda un funcionamiento mas efectivo y es mas fácil controlarla.
- Cualquier reparación solo puede ser realizada en un Centro de Servicio Autorizado **TRUPER**.

Las herramientas que utilizan accesorios no certificados por **TRUPER** pueden provocar lesiones serias.

- Utilice siempre accesorios que correspondan a la velocidad de la herramienta
- Utilice accesorios certificados por **TRUPER**.

Las herramientas y accesorios dañados o golpeados pueden provocar lesiones serias.

- No utilice herramientas y accesorios dañados o golpeados.

Riesgo de lesión en cabeza y ojos



ADVERTENCIA

• El aire comprimido que utilizan los equipos neumáticos puede resultar peligroso. Objetos como abrazaderas, rebabas, astillas, polvo y otros residuos pueden ser impulsados por el flujo de aire a gran velocidad a la cabeza o a los ojos. El flujo de aire por sí sólo puede provocar daño en tejidos blandos como ojos, oídos, etc.

ATENCIÓN

• Los adiantamientos de la herramienta se pueden aljofiar o romperse y proyectar partículas al operador u otras personas en el área de trabajo.

Riesgo de explosión



ADVERTENCIA

• El manejo inadecuado de la presión de los equipos neumáticos puede provocar una explosión que ocasione lesiones serias.

Para prevenir explosión

- Antes de utilizar la herramienta asegúrese que la fuente de aire comprimido esté regulada a la presión especificada para la herramienta y no rebase ese nivel.
- Jamás conecte la herramienta a una fuente de presión que exceda los 1 380 kPa (200 PSI).

Riesgo de pérdida auditiva



ADVERTENCIA

• Exponerse al ruido generado por las herramientas neumáticas por largos periodos puede dañar el oído permanentemente provocando pérdida de la audición.

Riesgo de inhalación de partículas



ADVERTENCIA

• Las herramientas abrasivas, como esmeriladoras, lijadoras y herramientas de corte generan polvo y partículas que pueden causar daño a los pulmones y el sistema respiratorio.

- Algunos materiales como adhesivos y resinas contienen químicos cuyos vapores pueden causar daños serios si se expone a ellos por tiempos prolongados.

Para prevenir inhalación de partículas



- Siempre utilice una careta o respirador cuando opere este tipo de herramientas.
- Trabaje siempre en un área limpia y bien ventilada.

Riesgo de choque eléctrico



ADVERTENCIA

• Las herramientas neumáticas no llegan a hacer contacto con alguna fuente de electricidad, conducir la energía al operador provocando electrocución incluso fatal.

Para prevenir choque eléctrico

- Jamás utilice herramientas neumáticas para trabajar cableado eléctrico energizado.
- Ubique posible cableado oculto en la zona de trabajo para evitar hacer contacto con él antes de operar la herramienta.
- Evite el contacto con superficies aterrizadas como tuberías, radiadores, o refrigeradores. Existe un mayor riesgo de electrocución si su cuerpo está aterrizado.

Riesgo de daño a la herramienta



ADVERTENCIA

• Las herramientas neumáticas que no cuenten con la lubricación adecuada, sean forzadas más allá de su capacidad o que se utilicen para aljofiar tuercas oxidadas (con pistolas de impacto) se dañarán, invalidando la garantía.

Para prevenir el daño a la herramienta

- Mantenga la herramienta lubricada debidamente.
- No fuerce la herramienta.
- Aplique líquido "alfoja todo" a las tuercas o birlos oxidados antes de intentar aljofiarlos con la herramienta (pistola de impacto).

Advertencias de Seguridad para uso de herramientas neumáticas



Mantenga su área de trabajo limpia, ordenada y bien

ATENCIÓN

Áreas desordenadas y oscuras pueden provocar accidentes.



PELIGRO Las chispas que genera la herramienta podría provocar una explosión o incendio.



Mantenga a los niños y a otras personas a una distancia segura mientras utiliza la herramienta.

ADVERTENCIA

Las distracciones pueden hacerle perder el control y provocar accidentes.



PELIGRO Evite hacer contacto con líneas y circuitos eléctricos.



Ubique y evite todas las líneas y circuitos eléctricos, especialmente el cableado oculto. Así como cualquier objeto conectado a tierra.

ATENCIÓN Este siempre alerta, sea prudente y utilice el sentido común.



No deje que la familiaridad con el uso de la herramienta lo distraiga mientras la utiliza. Esto puede provocar accidentes.

No utilice la herramienta si está cansado, o bajo la influencia de drogas, alcohol o medicamentos.



PELIGRO Un momento de distracción mientras utiliza la herramienta puede provocar lesiones personales graves.

Utilice la herramienta con todas sus piezas en su lugar y en buen estado.

ADVERTENCIA

De no hacerlo se expone a lesiones personales graves.



ATENCIÓN Asegure y apoye adecuadamente la pieza de trabajo. Utilice abrazaderas y una superficie de trabajo estable.

Nunca fuerce la herramienta.

ATENCIÓN

Trabajar dentro del rango para el que fue diseñada asegura un mejor trabajo y es más seguro.



Guarde la herramienta en un lugar seguro fuera del alcance de los niños.

ADVERTENCIA

Las herramientas eléctricas son peligrosas en manos inexpertas.



Utilice la indumentaria adecuada.

ADVERTENCIA

La ropa suelta, joyas o cabello largo pueden ser atrapados por las piezas móviles.



Mantenga las manos alejadas de las partes giratorias y/o móviles.

ADVERTENCIA

De no hacerlo se expone a lesiones personales graves como cortes, quemaduras o aplastamiento.



Utilice equipo adecuado de protección personal.

ATENCIÓN

Utilice protección para los ojos. Mascalla antiplomo, zapatos de seguridad antiestáticos, casco y protección para los oídos en condiciones adecuadas reducen considerablemente el riesgo de lesiones.



ADVERTENCIA Descorche la manguera de aire de la herramienta antes de darle mantenimiento o cambiar sus accesorios.



Para evitar encendidos accidentales que deriven en accidentes.

Nunca utilice la herramienta si el interruptor no funciona o no está debidamente ensamblada.

ADVERTENCIA

De hacerlo se expone a lesiones personales graves, repárela inmediatamente en un Centro de Servicio Autorizado **TRUPER**.



No sobre extienda su campo de acción.

ATENCIÓN

Un buen apoyo y equilibrio permiten un mejor control de la herramienta en situaciones inesperadas.



ADVERTENCIA Nunca tire de la manguera de aire.

No la use para cargar la herramienta o desconectarla de la toma de aire. Las mangueras dañadas o enredadas pueden reventar y lanzar residuos al operador.



Evite encendidos accidentales.

Asegúrese de que la toma de aire está desconectada antes de lubricar, colocar accesorios o dar mantenimiento a la herramienta.



Retire cualquier llave de ajuste antes de encender la herramienta.

PELIGRO

Herramientas adicionales o llaves colocadas en una pieza giratoria de la herramienta puede provocar lesiones personales graves.



Dele mantenimiento a la herramienta y cerciórese que se encuentra en condiciones óptimas antes de utilizarla.

ATENCIÓN

Revise cuidadosamente sus partes móviles, su alineación y montaje. Hágalo periódicamente. Busque cualquier elemento dañado o pieza que no funcione adecuadamente para su inmediata reparación en un Centro de Servicio Autorizado **TRUPER**.

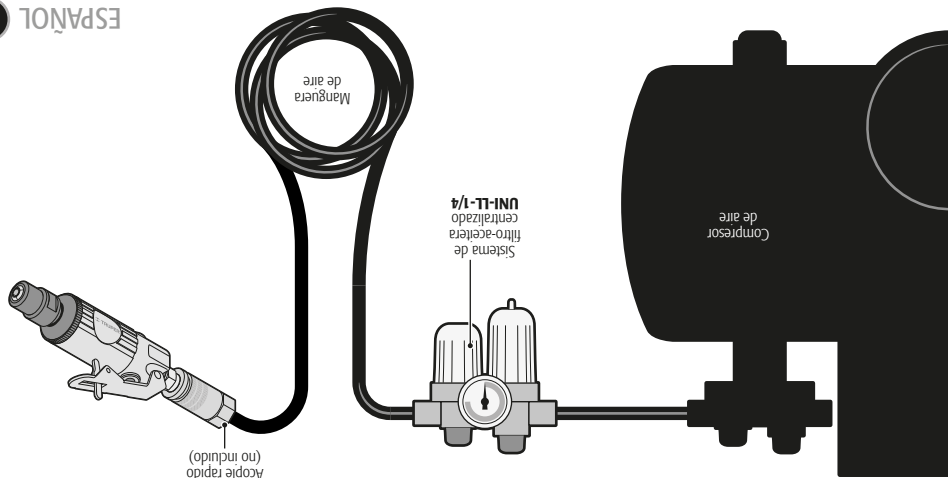


ATENCIÓN

Utilice sólo los accesorios o relaciones indicados en este instructivo o certificados por **TRUPER**.



Nunca deje la herramienta en marcha sin supervisión. Descorche la herramienta de la toma de aire después de operarla y antes de dejarla para evitar accidentes graves.



ATENCIÓN El polvo, agua y la falta de aceite específico para herramientas neumáticas son la causa principal de las fallas potenciales de la herramienta. Se recomienda la instalación de un sistema de filtro-acetiera centralizado **UNI-LL-1/4** marca **TRUPER**. Este sistema asegura la lubricación reduciendo el consumo de aceite en un 80%, lo que incrementa significativamente la calidad del aire que respira el operador.

- El sistema de filtro-acetiera debe regularse para que administre de 3 a 6 gotas por minuto.
- Drene el agua del tanque del compresor de aire así como la condensación de las mangueras antes de usar la herramienta.

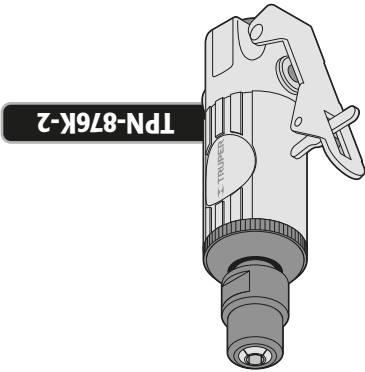
Consulte el instructivo de la compresora.

Requerimientos de filtrado y lubricación

ATENCIÓN Se debe considerar el aumento en la presión de línea o el diámetro interior de la manguera para compensar el uso de mangueras muy largas (más de 8 metros). El diámetro interior mínimo de la manguera debe ser de 9.5 mm (3/8") y los conectores deben ser de 1/4 NPT. Use coples y accesorios de buena calidad y del tamaño adecuado.

Código	• 16887
Descripción	• Kit de mini esmeriladora neumática
Entrada de aire	• 1/4 NPT
Broquero	• 1/4" (6.5 mm)
Nivel de vibración	• < 2.5 m/s ²
Nivel de ruido	• 92 dB
Velocidad libre	• 25 000 r/min
Peso	• 0.31 kg (0.69 lb)
Consumo de aire	• 70.8 L/min (2.5 CFM)
Diámetro mínimo recomendado de la manguera	• 3/8" (9.5 mm)
Presión de aire	• 621 kPa (90 PSI)

TPN-876K-2



- 3 Especificaciones técnicas
- 3 Requerimientos de filtrado y lubricación
- 4 Advertencias de seguridad para uso de herramientas neumáticas
- 5 Control de riesgos al usar herramientas neumáticas
- 7 Partes
- 7 Montaje
- 8 Puesta en marcha
- 8 Mantenimiento
- 9 Centros de servicio autorizados
- 10 Póliza de garantía

Para poder sacar el máximo provecho de la herramienta, hacer su vida útil, hacer válida la garantía en caso de ser necesario y evitar riesgos o lesiones graves, es fundamental leer este instructivo por completo antes de usar la herramienta.

Guarde este instructivo para futuras referencias. Los gráficos de este instructivo son para referencia, pueden variar del aspecto real de la herramienta.

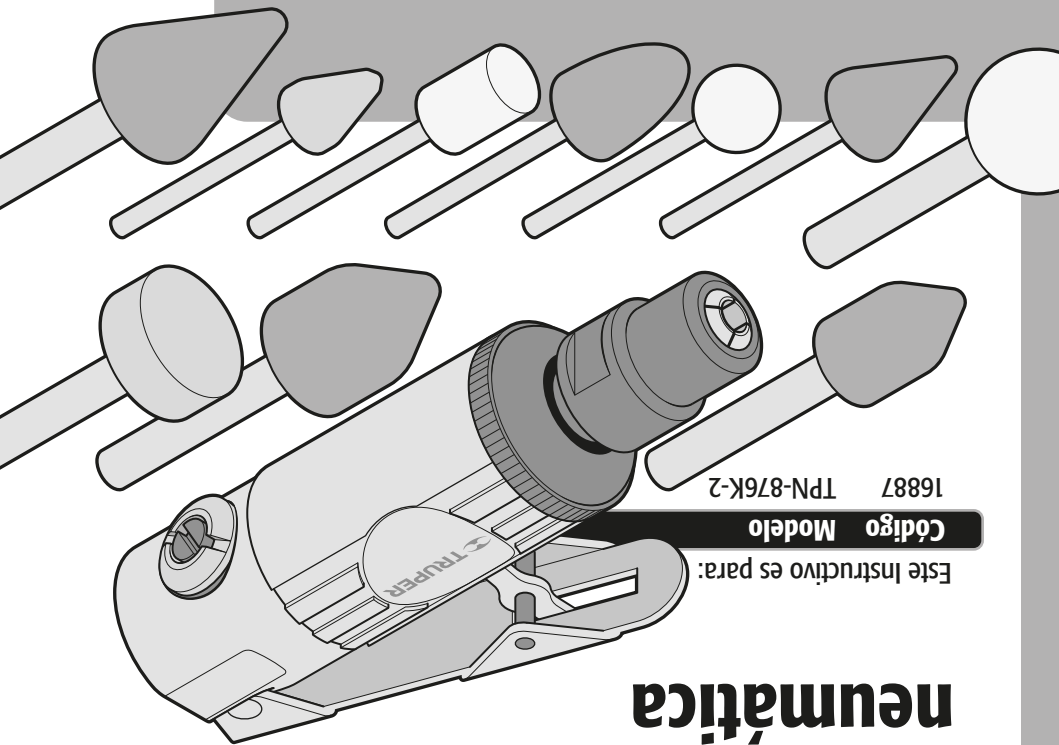
ATENCIÓN

Instrutivo de

Kit de mini esmeriladora neumática

Este Instrutivo es para:

Código Modelo
16887 TPN-876K-2



TPN-876K-2

ADVERTENCIA

Utilice aceite de forma continua y dosificada para lubricar la herramienta.

ATENCIÓN

Lea este Instrutivo por completo antes de usar la herramienta.

